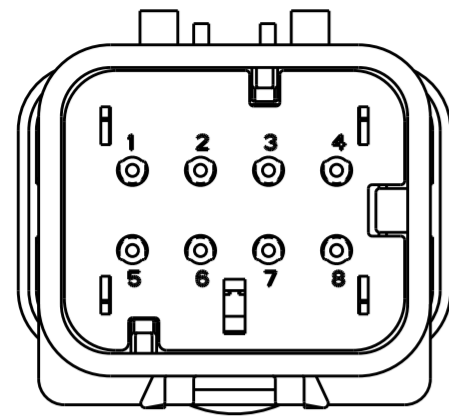
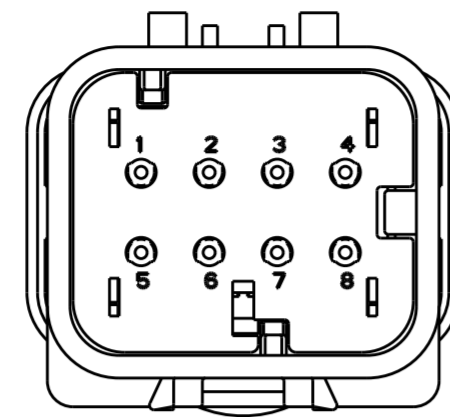


THIS DRAWING IS UNPUBLISHED. RELEASED FOR PUBLICATION. ALL RIGHTS RESERVED. COPYRIGHT 20 BY -

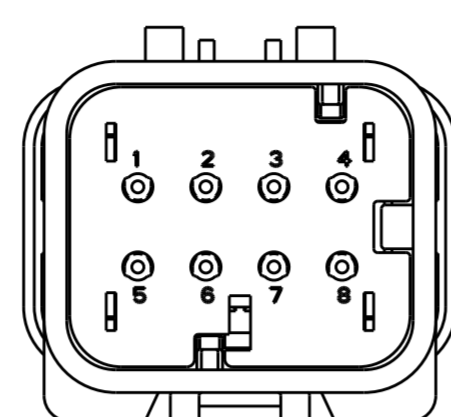
REVISIONS				
P	LTR	DESCRIPTION	DATE	APVD
B4		REVISED PER ECO-11-005030	11MAR2011	RK HMR
C		REVISED PER ECO-13-019231	09DEC2013	DR RB



776538-2  
SCALE 2:1

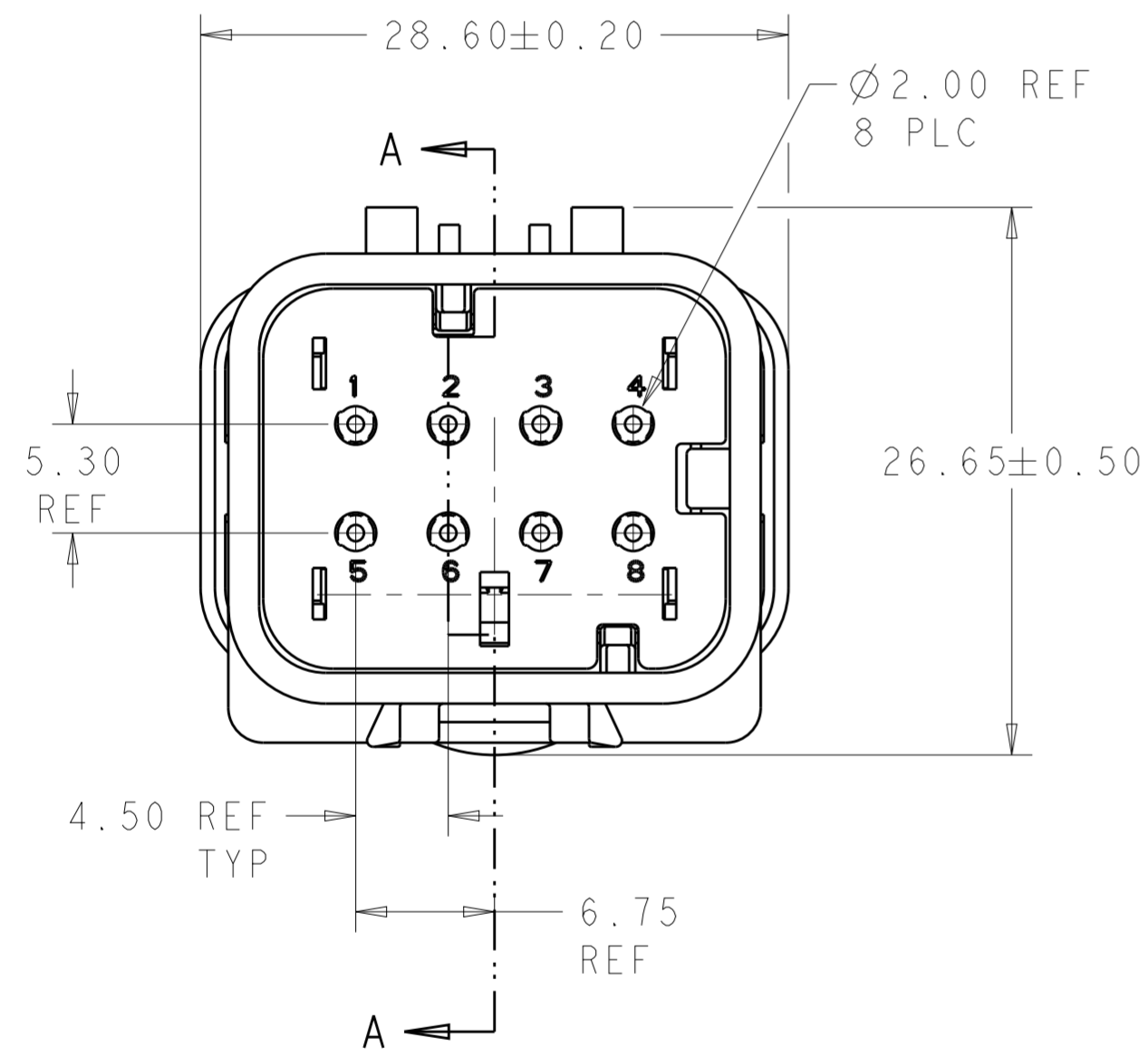


776538-3  
SCALE 2:1

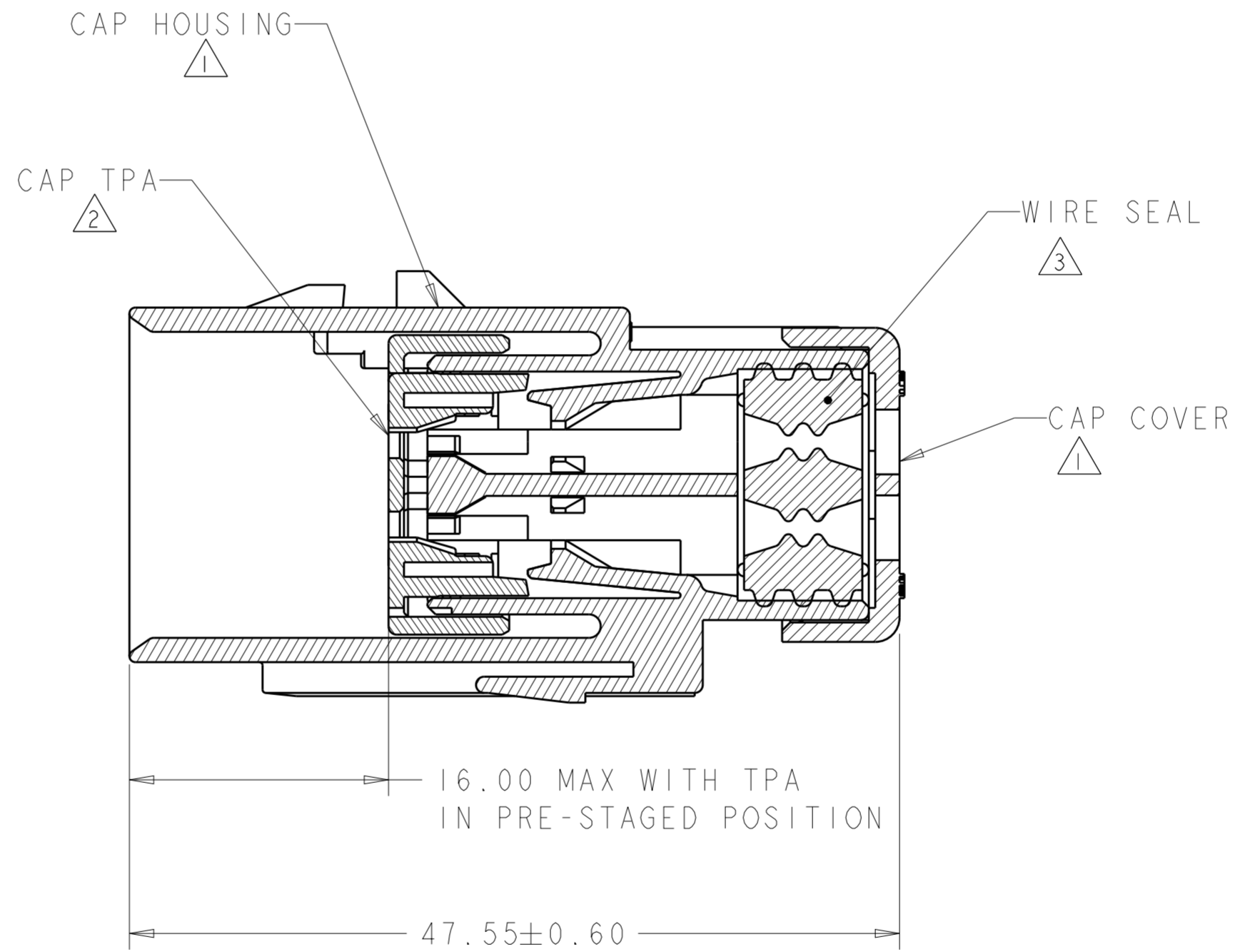


776538-4  
SCALE 2:1

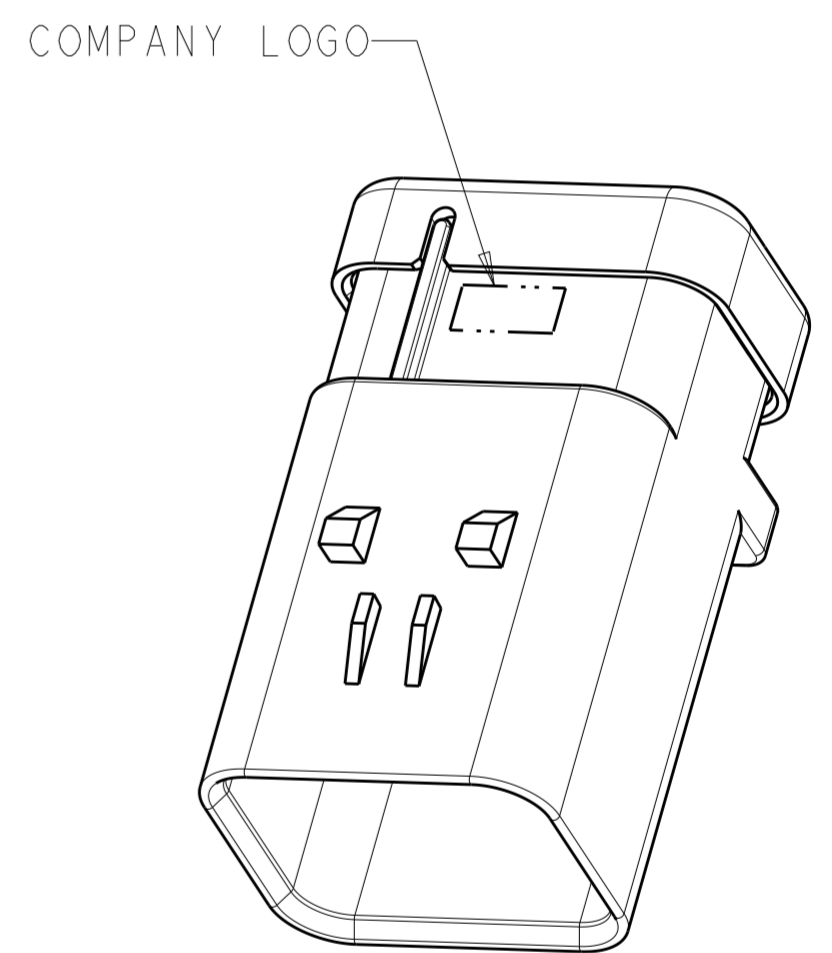
- ① MATERIAL: 15% GLASS FILLED THERMOPLASTIC  
COLOR: BLACK
  - ② MATERIAL: 15% GLASS FILLED THERMOPLASTIC  
COLOR: (SEE TABLE)
  - ③ MATERIAL: SILICONE  
COLOR: RUST
4. RECOMMENDED WIRE DIAMETER RANGE IS 1.30 TO 2.54mm



776538-1 SHOWN



SECTION A-A



SCALE 2:1

GREEN	776538-4
YELLOW	776538-3
GRAY	776538-2
RED	776538-1
TPA COLOR	PART NUMBER

THIS DRAWING IS A CONTROLLED DOCUMENT.		DWN Y. PETERSON 17DEC02	<b>STE</b> TE Connectivity	
DIMENSIONS: mm		CHK R. GREINER 17DEC02		
TOLERANCES UNLESS OTHERWISE SPECIFIED:		APVD R. GREINER 17DEC02	NAME CAP ASSEMBLY, 8 POSITION, 2 ROW, AMPSEAL 16 CONNECTOR REDUCED DIA WIRE SEAL	
0 PLC	±	PRODUCT SPEC 108-2184	SIZE A2	CAGE CODE 00779
1 PLC	±	APPLICATION SPEC 114-13065	DRAWING NO C-776538	RESTRICTED TO
2 PLC	±	WEIGHT 17.5	SCALE 2:1	SHEET OF
3 PLC	±	Customer Drawing	REV C	
4 PLC	±			
ANGLES	±			
FINISH	-			